

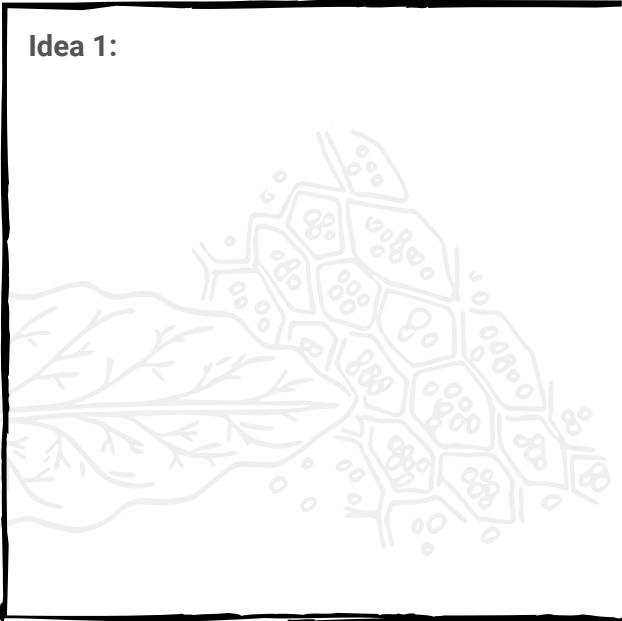


Synthesize your ideas

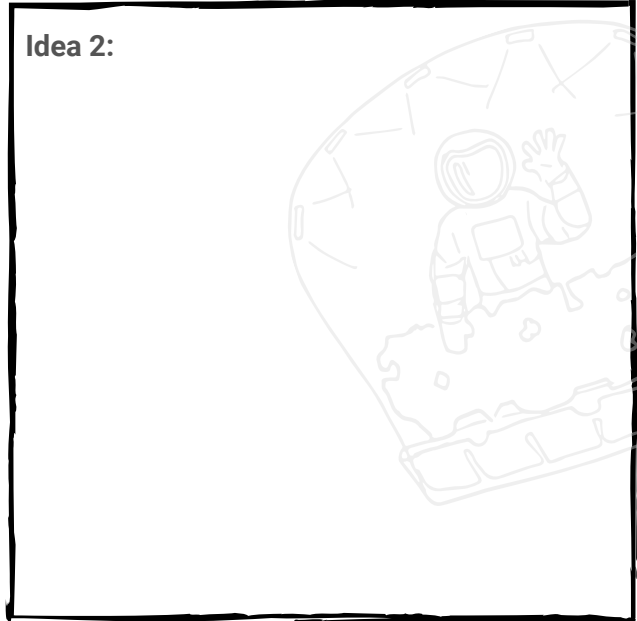
From your brainstorming session select the four best ideas that you have come up with and evaluate them by documenting their Pro's and Con's.

Remember these are problems that you wish to solve not solutions.

Idea 1:

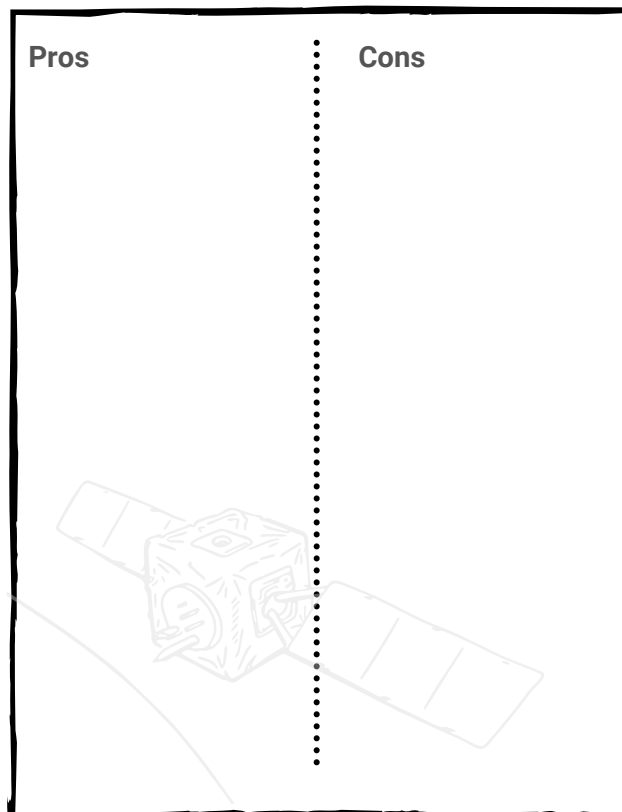


Idea 2:



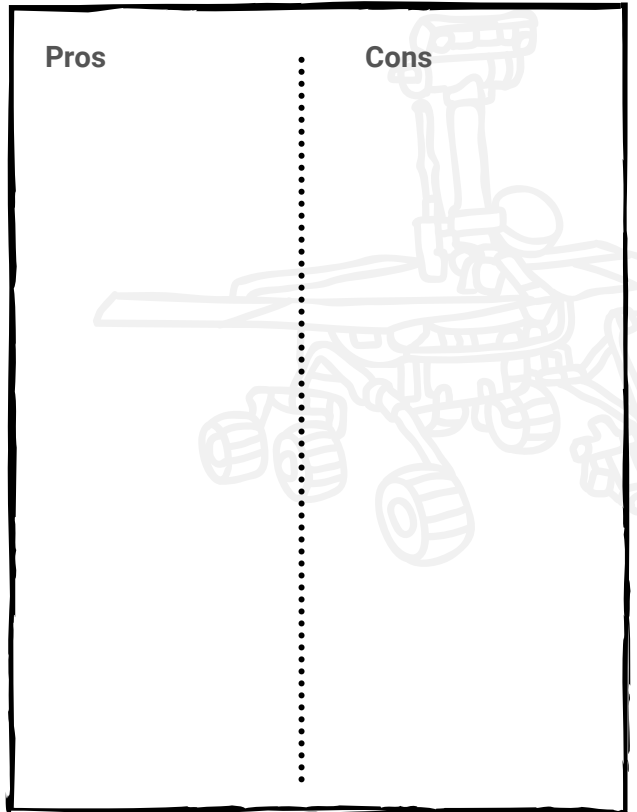
Pros

Cons



Pros

Cons



Define the problem



Idea 3:

Idea 4:

Pros	Cons

Pros	Cons

Selected problem to solve with justification

