



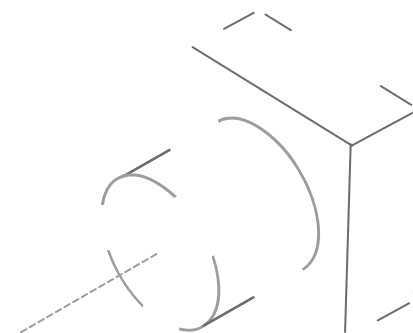
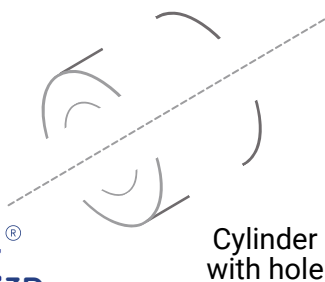
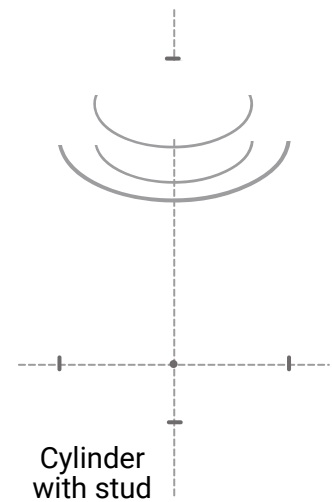
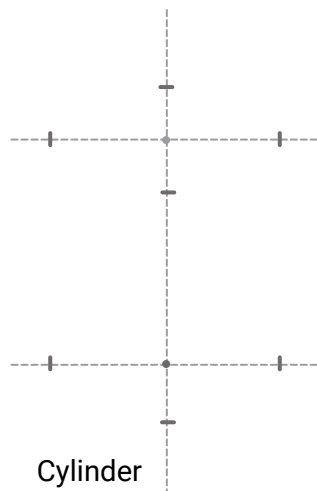
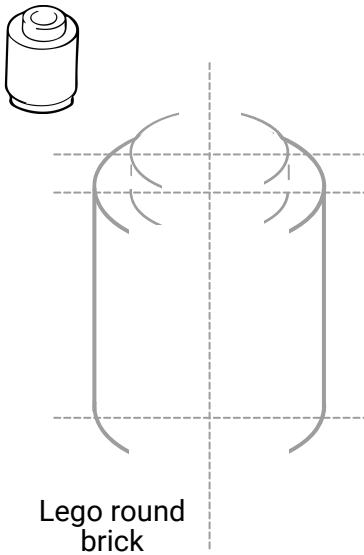
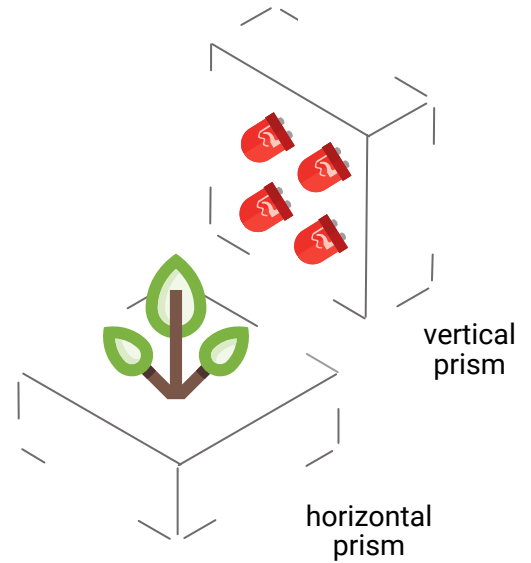
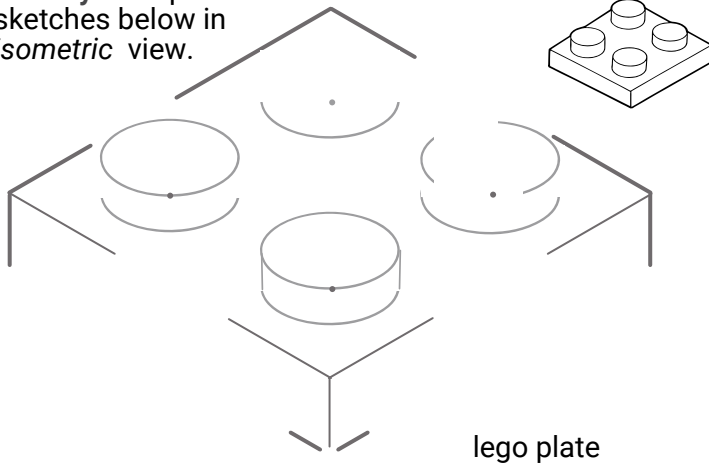
Sketching your ideas in 3D

Sketching in 3D is a great way to quickly imagine and share new ideas. Most designs start out as a just a cube or a cylinder. Let's practice sketching those two objects.

Introducing 'Glenny-D', one of our guest presenters this week who has taught thousands of his students how to sketch in 3D. See his free YouTube drawing tutorials at Splat3D.



Activity: Complete the sketches below in *isometric view*.



**HOW TO
RENDER
CYLINDERS**